
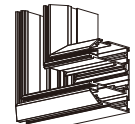
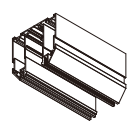
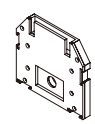

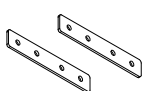
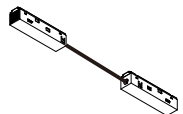
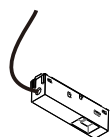
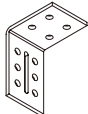

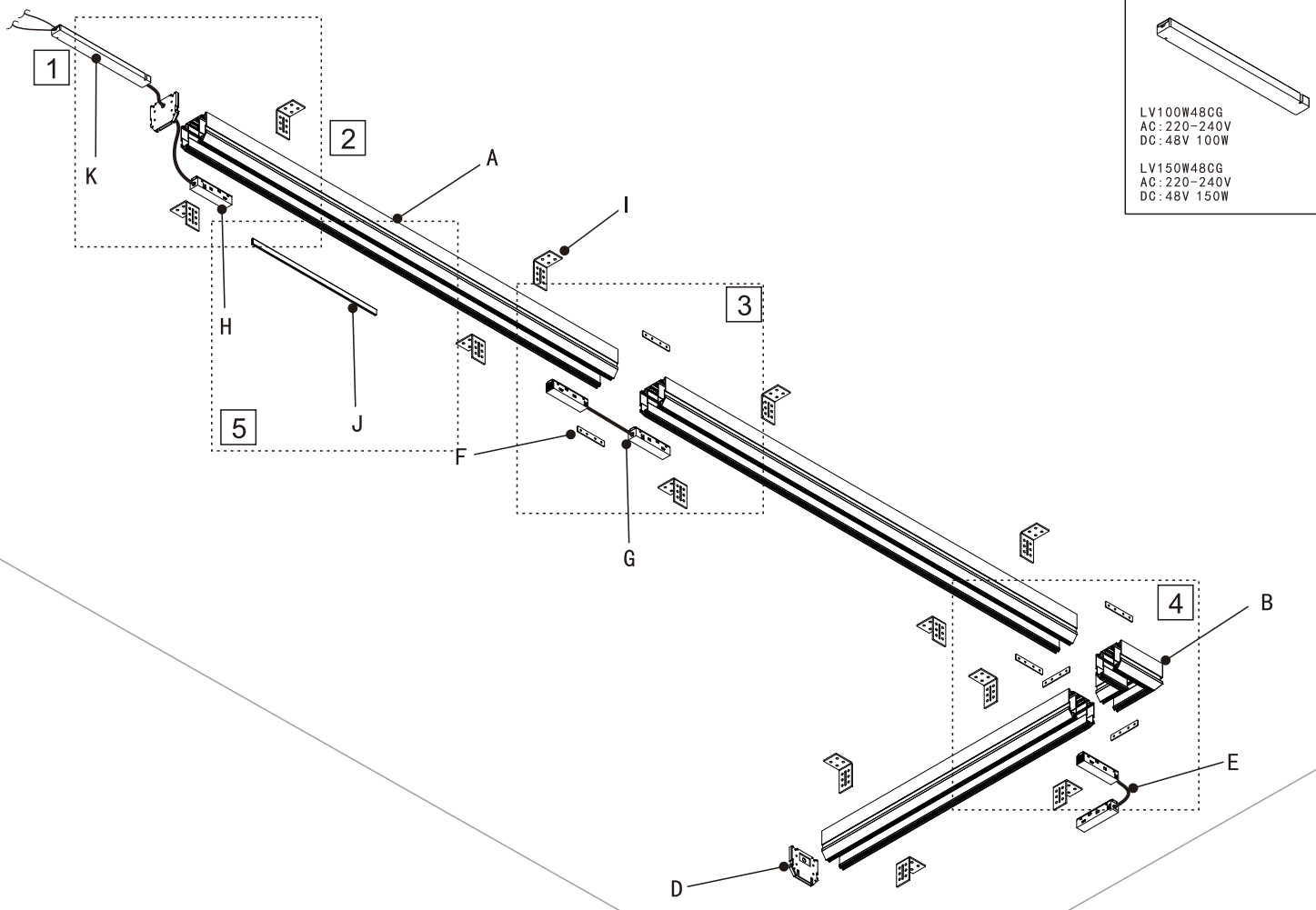


GD-S surface mounted track connection installation

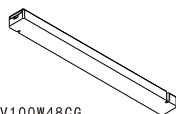
Input: 48VDC

Warning: The power supply must be cut off before installing the track, please make sure to operate the installation when the power is cut off!


<p>A</p>  <p>GD-S48V/1M Track GD-S48V/2M Track GD-S48V/3M Track</p>	<p>B</p>  <p>GD-S48V//Corner</p>	<p>C</p>  <p>GD-S48V/ Track Groove</p>	<p>D</p>  <p>GD-S48V/Track End Cap</p>	<p>E</p>  <p>GD Corner Connector</p>
<p>F</p>  <p>GD-S48V/Connection Pieces</p>	<p>G</p>  <p>GD Power Connector</p>	<p>H</p>  <p>GD Power head</p>	<p>I</p>  <p>GD-S48V/L Type Connector</p>	<p>J</p>  <p>GD-S48V/Plastic Fixed Tape</p>



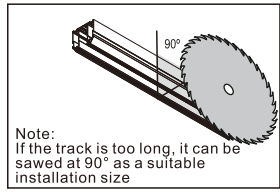
K



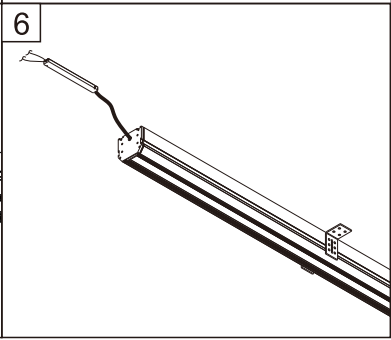
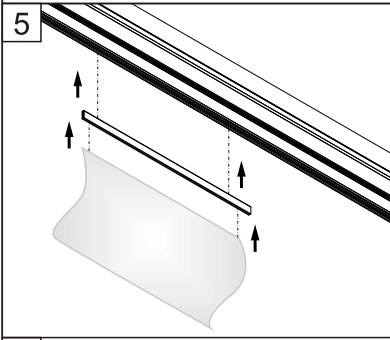
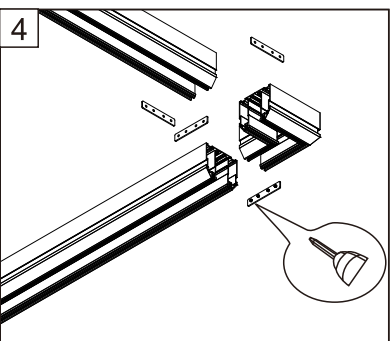
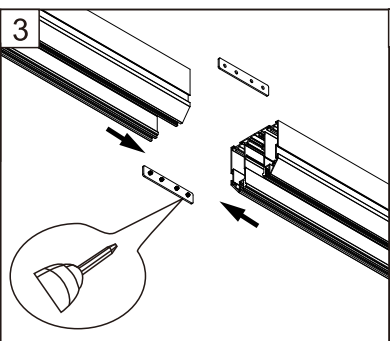
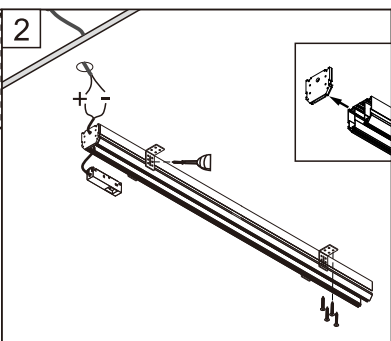
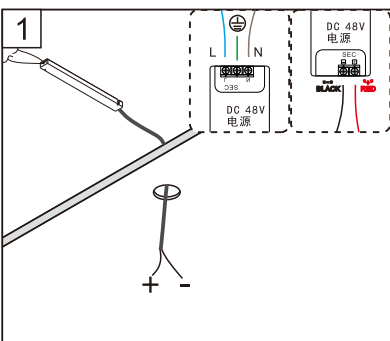
LV100W48CG
AC: 220-240V
DC: 48V 100W



LV150W48CG
AC: 220-240V
DC: 48V 150W



Connection diagram :



7

Note:
Install the connector at the track to make the track all energized and connected.

