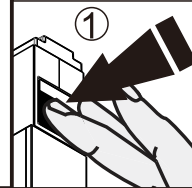
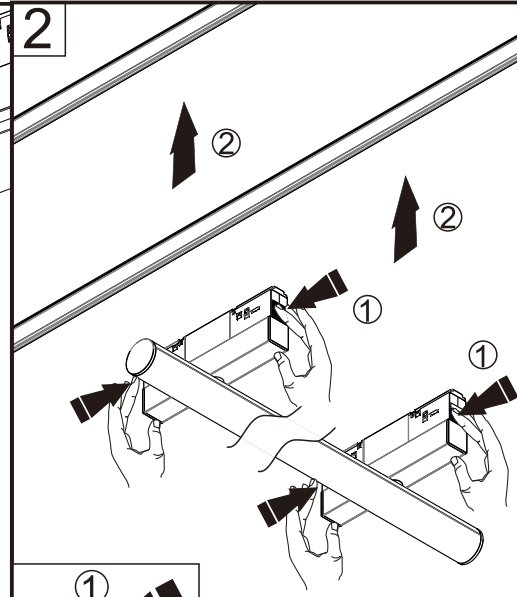


Note:
 When using the lamp with 0-10V dimming, before the lamp is locked into the track, It must be ensured that the GD power head and the "DIM+" on the side of the lamp are in track on the same side, then lock the lamp into the track (as shown in the picture above).

Warning:
 Please cut off the electric before the installation.
 Please operate the installation after ensuring the power is off!



! Install

