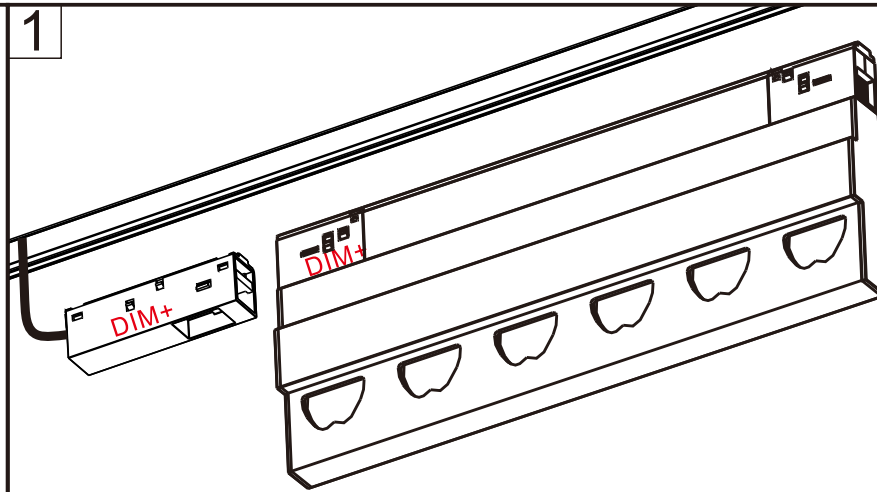
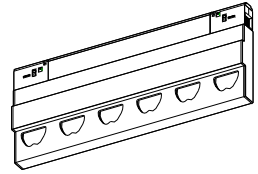


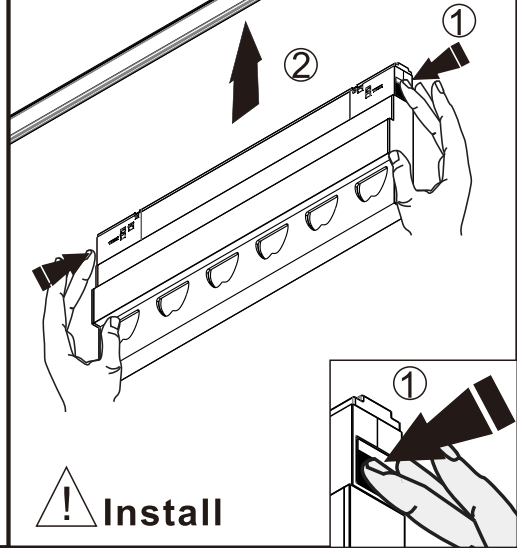
1



Note:
When using the lamp with 0-10V dimming, before the lamp is locked into the track, It must be ensured that the GD power head and the "DIM+" on the side of the lamp are in track on the same side, then lock the lamp into the track (as shown in the picture above).

Warning
Please cut off the electric before the installation
Please operate the installation after ensuring the power is off!

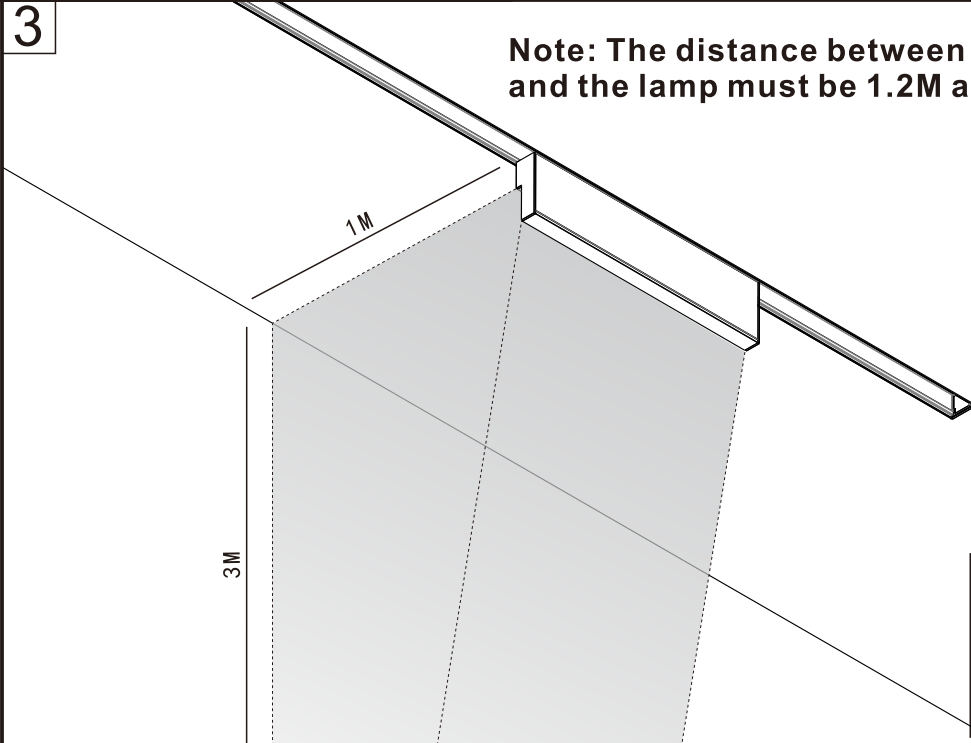
2



! Install

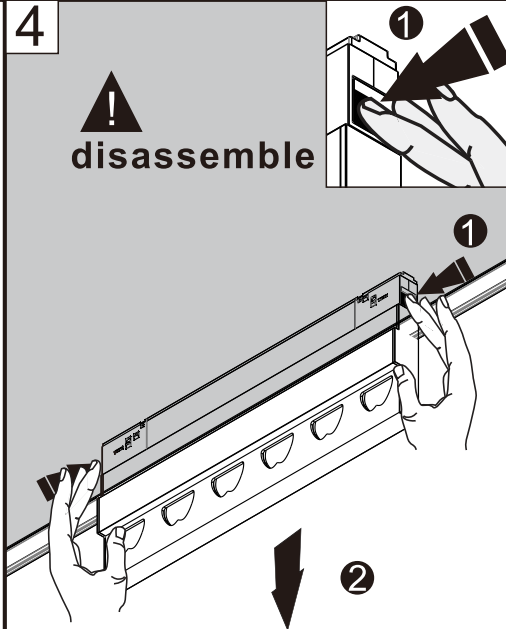
3

Note: The distance between the lamp and the lamp must be 1.2M apart.



4

! disassemble



5

