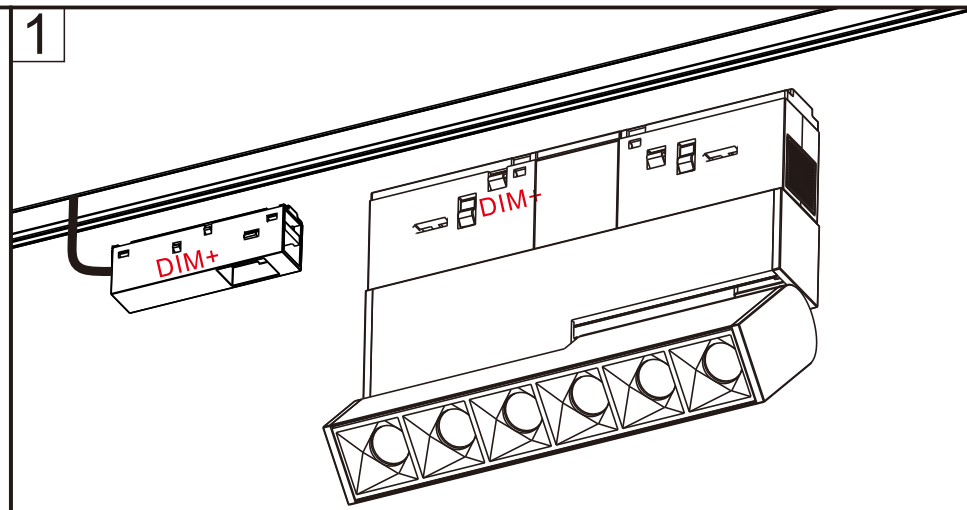
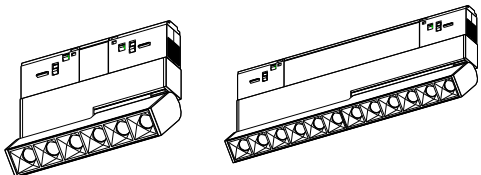


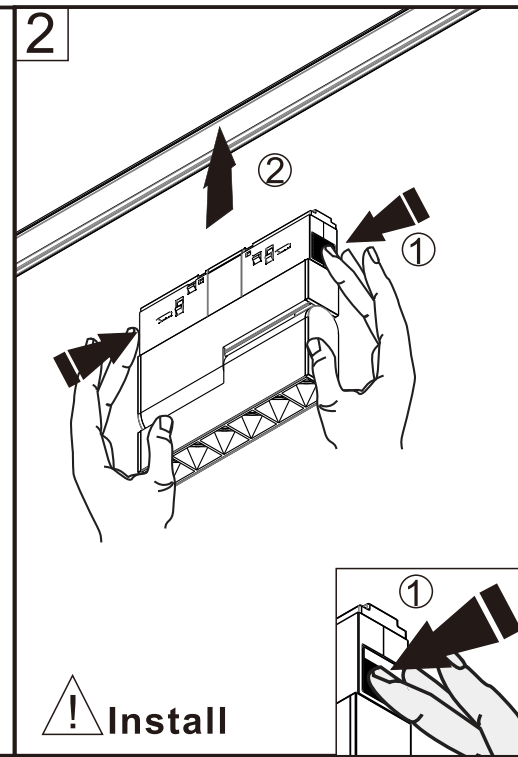
1



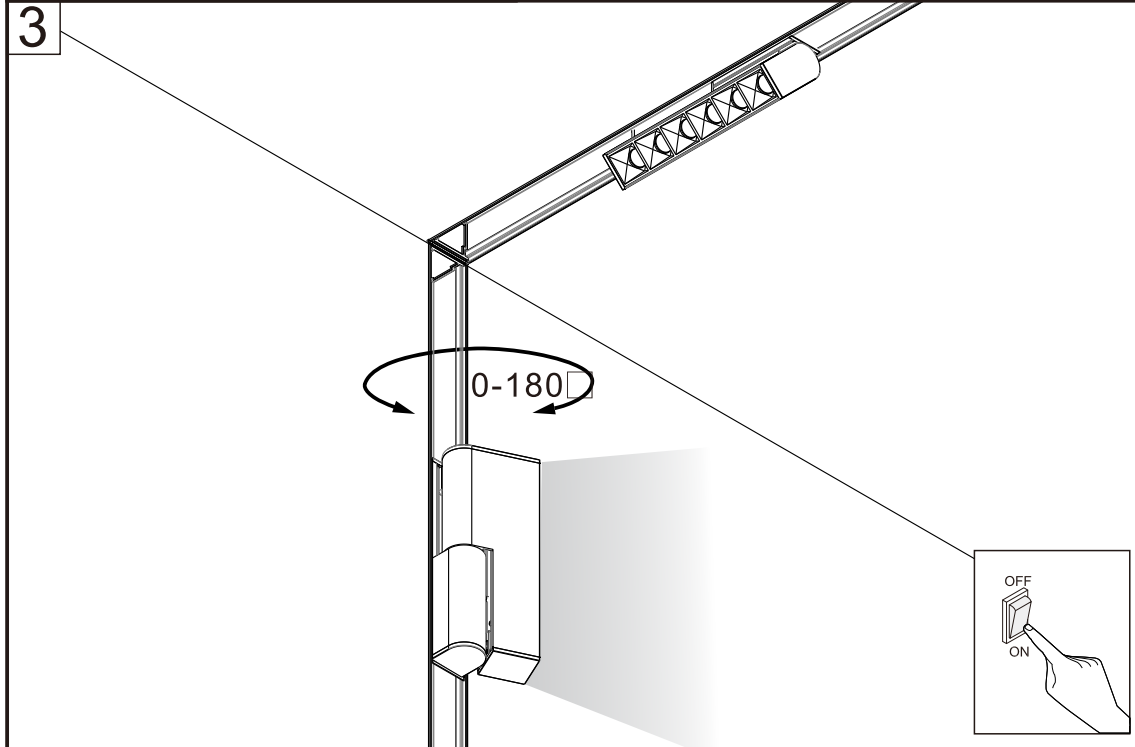
Warning
Please cut off the electric before the installation
Please operate the installation after ensuring the power is off!

Note:
When using the lamp with 0-10V dimming, before the lamp is locked into the track, It must be ensured that the GD power head and the "DIM+" on the side of the lamp are in track on the same side, then lock the lamp into the track (as shown in the picture above).

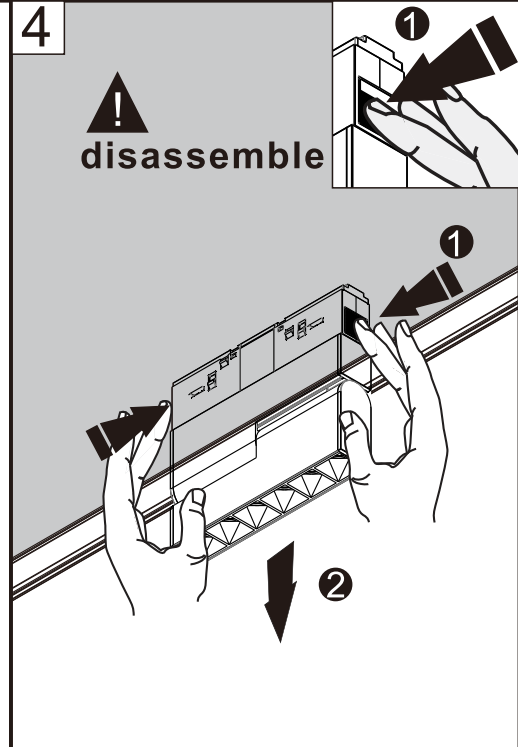
2



3



4



5

